

**E 5451**

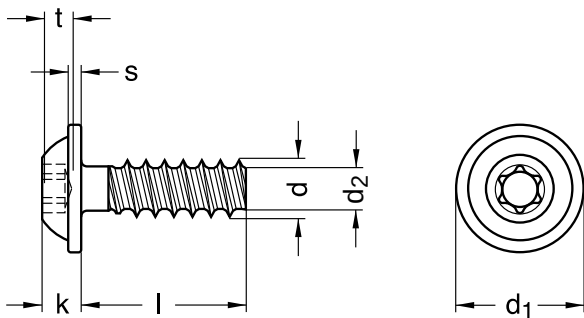
**EJOT®-Delta PT-screws**

Raised countersunk head with pressed-on washer | torx plus /autosert drive

Stainless steel A2 | Cr(VI)-free | Self-tapping thread

Further information: For further information and CAD-files please follow the link to the EJOT-homepage:

<http://www.ejot.com/industry>



Diameter (d)	d <sub>1</sub> nominal size	d <sub>2</sub> nominal size	k nominal size	s nominal size	Pitch (P)	t		Tool size
						max.	min.	
2	4.5	1.36	1.6	0.6	0.78	0.85	0.65	T6
2.2	5	1.51	1.6	0.6	0.85	0.85	0.65	T6
2.5	5.5	1.72	1.9	0.7	0.95	1.00	0.80	T8
3	6.5	2.09	2.3	0.8	1.12	1.30	1.00	T10
3.5	7.5	2.45	2.7	0.9	1.29	1.50	1.10	T15
4	9	2.81	3.1	1.0	1.46	1.80	1.40	T20
5	11	3.53	3.5	1.2	1.80	1.90	1.50	T25
6	13.5	4.26	4.2	1.4	2.14	2.40	1.90	T30

Length (l) nominal size
4.5
6.0
7.0
8.0
10.0
12.0

Length (l) nominal size
14.0
15.0
16.0
20.0
25.0
30.0

All technical data refer to the measure mm



**E 5451**

**EJOT®-Delta PT-screws**

Raised countersunk head with pressed-on washer | torx plus /autosert drive

Stainless steel A2 | Cr(VI)-free | Self-tapping thread

Diameter (d)	Length (l)											
	4.5	6	7	8	10	12	14	15	16	20	25	30
2		●	●	●								
2.2	●			●	●							
2.5		●	●	●				●				
3		●		●	●	●	●		●			
3.5				●	●	●	●		●	●		
4					●	●	●		●	●		●
5									●			
6											●	●

• Combinations available in the eShop | Other sizes on request

All technical data refer to the measure mm

