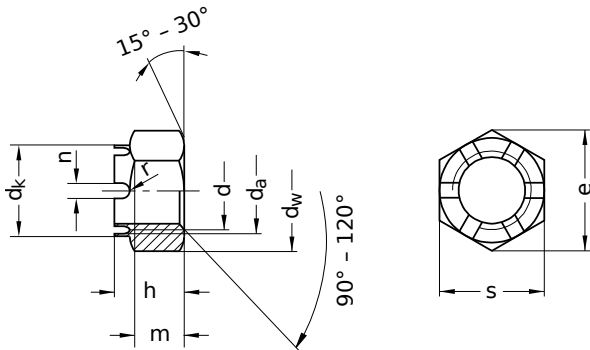


**DIN 935**  
**Castle nuts**

External hex

Steel 5 AU | bright | Cr(VI)-free | Metric thread



Diameter (d)	d <sub>a</sub>		d <sub>k</sub>		d <sub>w</sub>	h		e	m		n		s		Pitch (P)	Tool size
	min.	max.	min.	max.		min.	max.		min.	max.	min.	max.	min.	max.		
M8	8	8.75	–	–	11.6	9.14	9.5	14.38	6.14	6.5	2.5	2.75	12.73	13	1.25	SW 13
M10	10	10.80	–	–	14.6	11.57	12.0	17.77	7.64	8.0	2.8	3.05	15.73	16	1.50	SW 17
M14	14	15.10	17.57	18	19.6	15.57	16.0	23.35	10.57	11.0	3.5	3.80	20.67	21	2.00	SW 22
M16	16	17.30	21.48	22	22.5	18.48	19.0	26.75	12.57	13.0	4.5	4.80	23.67	24	2.00	SW 24
M18	18	19.50	24.30	25	24.9	20.16	21.0	29.56	14.57	15.0	4.5	4.80	26.16	27	2.50	SW 27
M20	20	21.60	27.30	28	27.7	21.16	22.0	32.95	15.57	16.0	4.5	4.80	29.16	30	2.50	SW 30
M22	22	23.80	31.00	32	31.4	25.16	26.0	37.29	17.57	18.0	5.5	5.80	33.00	34	2.50	SW 32
M24	24	25.90	33.00	34	33.2	26.16	27.0	39.55	18.48	19.0	5.5	5.80	35.00	36	3.00	SW 36
M27	27	29.20	37.00	38	38.0	29.16	30.0	45.20	21.48	22.0	5.5	5.80	40.00	41	3.00	SW 41
M30	30	32.40	41.00	42	42.7	32.00	33.0	50.85	23.48	24.0	7.0	7.36	45.00	46	3.50	SW 46
M33	33	35.60	45.00	46	46.6	34.00	35.0	55.37	25.48	26.0	7.0	7.36	49.00	50	3.50	SW 50
M36	36	38.90	49.00	50	51.1	37.00	38.0	60.79	28.48	29.0	7.0	7.36	53.80	55	4.00	SW 55
M39	39	42.10	53.80	55	55.9	39.00	40.0	66.44	30.28	31.0	7.0	7.36	58.80	60	4.00	SW 60
M42	42	45.40	56.80	58	60.6	45.00	46.0	71.30	33.38	34.0	9.0	9.36	63.10	65	4.50	SW 65
M48	48	51.80	63.80	65	69.4	49.00	50.0	82.60	37.38	38.0	9.0	9.36	73.10	75	5.00	SW 75

All technical data refer to the measure mm

