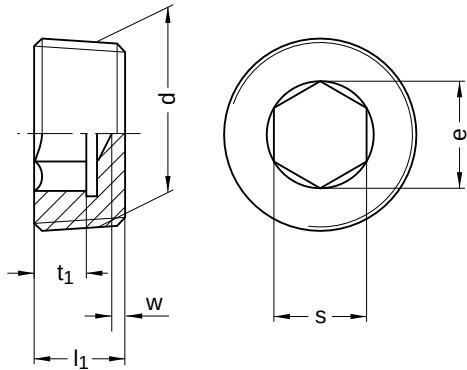


DIN 906
Locking screws

Hexagon socket

Stainless steel A2 | Cr(VI)-free | Conical Whitworth pipe thread



Diameter (d)	l ₁	e min.	s nominal size	t ₁ min.	w min.	Tool size
R 1/8	8	5.7	5	4.0	1.8	SW 5
R 1/4	10	8.0	7	5.0	2.0	SW 7
R 1/2	10	11.4	10	5.0	2.0	SW 10
R 1	12	19.4	17	6.0	2.0	SW 17
R 1 1/4	18	25.2	22	11.5	3.0	SW 22
R 1 1/2	20	27.4	24	11.5	4.0	SW 24

All technical data refer to the measure mm

