

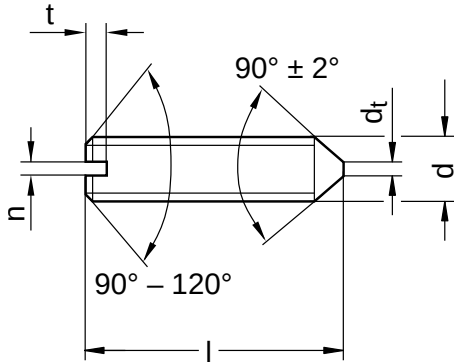
DIN 553 similar to ISO 7434

set screws

With slot and cone point

Brass | Cr(VI)-free | Metric thread

Further information: DIN standard has been withdrawn



Diameter (d)	d _t max.	n			Pitch (P)	t	
		nominal size	min.	max.		max.	min.
M3	0.3	0.4	0.46	0.60	0.50	1.05	0.80
M4	0.4	0.6	0.66	0.80	0.70	1.42	1.12
M5	0.5	0.8	0.86	1.00	0.80	1.63	1.28
M6	1.5	1.0	1.06	1.20	1.00	2.00	1.60
M8	2.0	1.2	1.26	1.51	1.25	2.50	2.00
M10	2.5	1.6	1.66	1.91	1.50	3.00	2.40

nominal size	Length (l)	
	min.	max.
3	2.80	3.20
4	3.75	4.25
5	4.75	5.25
6	5.70	6.30
8	7.70	8.30
10	9.70	10.30

nominal size	Length (l)	
	min.	max.
12	11.60	12.40
16	15.60	16.40
20	19.60	20.40
25	24.60	25.40
30	29.60	30.40

Diameter (d)	Length (l)										
	3	4	5	6	8	10	12	16	20	25	30
M3	●	●	●	●	●	●	●	●			
M4				●	●	●	●	●	●		
M5					●	●	●	●	●		
M6					●	●	●	●	●	●	●
M8						●	●	●	●	●	●
M10							●	●	●	●	

• Combinations available in the eShop | Other sizes on request

All technical data refer to the measure mm

