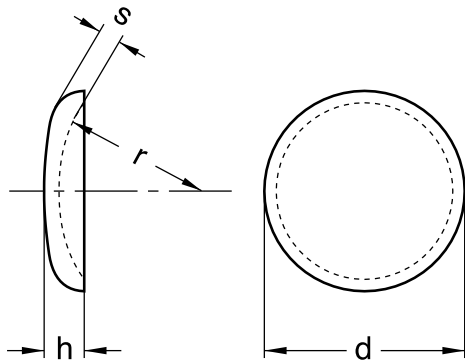


**DIN 470**  
**Sealing washers**

Steel | bright | Cr(VI)-free



| Diameter<br>(d) | h<br>nominal size | r<br>nominal size | nominal size | s    |      |
|-----------------|-------------------|-------------------|--------------|------|------|
|                 |                   |                   |              | min. | max. |
| 10              | 2.67              | 12                | 1.6          | 1.45 | 1.75 |
| 12              | 2.77              | 16                | 1.6          | 1.45 | 1.75 |
| 14              | 2.94              | 19                | 1.6          | 1.45 | 1.75 |
| 16              | 3.11              | 22                | 1.6          | 1.45 | 1.75 |
| 18              | 3.28              | 25                | 1.6          | 1.45 | 1.75 |
| 20              | 3.45              | 28                | 1.6          | 1.45 | 1.75 |
| 25              | 4.38              | 34                | 2.0          | 1.85 | 2.15 |
| 28              | 4.53              | 40                | 2.0          | 1.85 | 2.15 |
| 30              | 4.77              | 42                | 2.0          | 1.85 | 2.15 |
| 32              | 4.95              | 45                | 2.0          | 1.85 | 2.15 |
| 34              | 5.11              | 48                | 2.0          | 1.85 | 2.15 |
| 36              | 5.36              | 50                | 2.0          | 1.85 | 2.15 |
| 38              | 5.60              | 52                | 2.0          | 1.85 | 2.15 |
| 40              | 5.70              | 56                | 2.0          | 1.85 | 2.15 |
| 42              | 5.80              | 60                | 2.0          | 1.85 | 2.15 |
| 45              | 6.15              | 63                | 2.0          | 1.85 | 2.15 |
| 48              | 6.38              | 68                | 2.0          | 1.85 | 2.15 |
| 50              | 6.62              | 70                | 2.0          | 1.85 | 2.15 |
| 52              | 6.66              | 75                | 2.0          | 1.85 | 2.15 |
| 56              | 7.06              | 80                | 2.0          | 1.85 | 2.15 |
| 60              | 7.47              | 85                | 2.0          | 1.85 | 2.15 |

All technical data refer to the measure mm

