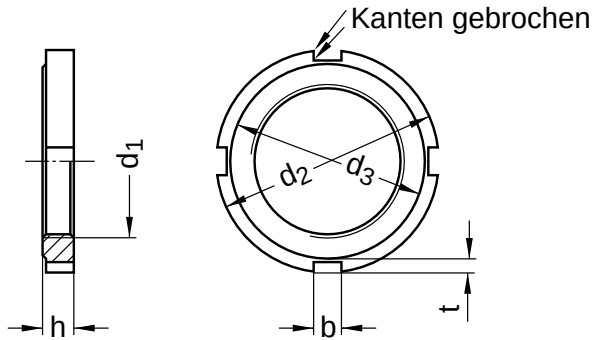


DIN 1804
Round nuts

Version W: untempered and unpolished | metric fine thread

Steel 5 W | bright | Cr(VI)-free | Metric fine thread



Diameter (d)	b nominal size	d ₁ nominal size	d ₂ nominal size	d ₃ nominal size	h nominal size	Pitch (P)	t nominal size
M8 x 1	4	M 8x1	20	16	5	1.0	1.5
M12 x 1.5	5	M 12x1.5	28	23	6	1.5	2.0
M14 x 1.5	5	M 14x1.5	30	25	7	1.5	2.0
M16 x 1.5	5	M 16x1.5	32	27	7	1.5	2.0
M18 x 1.5	6	M 18x1.5	34	28	8	1.5	2.5
M20 x 1.5	6	M 20x1.5	36	30	8	1.5	2.5
M22 x 1.5	6	M 22x1.5	40	34	9	1.5	2.5
M24 x 1.5	6	M 24x1.5	42	36	9	1.5	2.5
M28 x 1.5	7	M 28x1.5	50	43	10	1.5	3.0
M30 x 1.5	7	M 30x1.5	50	43	10	1.5	3.0
M32 x 1.5	7	M 32x1.5	52	45	11	1.5	3.0
M35 x 1.5	7	M 35x1.5	55	48	11	1.5	3.0
M38 x 1.5	8	M 38x1.5	58	50	11	1.5	3.5
M40 x 1.5	8	M 40x1.5	62	54	12	1.5	3.5
M42 x 1.5	8	M 42x1.5	62	54	12	1.5	3.5
M45 x 1.5	8	M 45x1.5	68	60	12	1.5	3.5
M50 x 1.5	8	M 50x1.5	75	67	13	1.5	3.5
M55 x 1.5	10	M 55x1.5	80	70	13	1.5	4.0
M58 x 1.5	10	M 58x1.5	90	80	13	1.5	4.0
M60 x 1.5	10	M 60x1.5	90	80	13	1.5	4.0
M62 x 1.5	10	M 62x1.5	95	85	14	1.5	4.0
M65 x 1.5	10	M 65x1.5	95	85	14	1.5	4.0
M70 x 1.5	10	M 70x1.5	100	90	14	1.5	4.0
M75 x 1.5	10	M 75x1.5	110	100	14	1.5	4.0

All technical data refer to the measure mm

